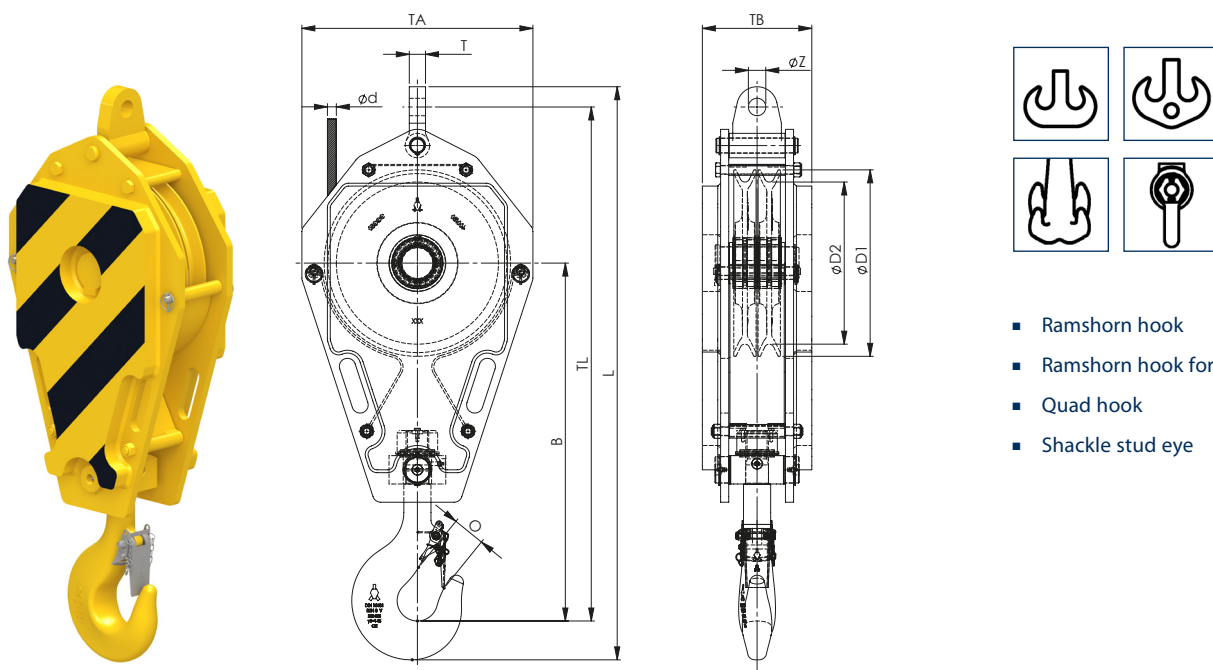


## FAST REEVE CRANE BLOCKS

## 2 SHEAVES



- Ramshorn hook
- Ramshorn hook form B
- Quad hook
- Shackle stud eye

Model Nr.	WLL (Mtons)	For wire ød (mm)	Hook size	Dimensions (mm)										Weight (kg)
				øD1	øD2	B	O	TA	TB	TL	L	T	øZ	
FRB 225.14.2.16.E	16	14	6	260	225	608	59	345	180	883	1103	28	32	105
FRB 260.14.2.16.E	16	14	6	300	260	693	59	400	165	978	1168	28	32	125
FRB 260.14.2.20.E	20	14	8	300	260	748	69	400	165	1033	1103	28	32	130
FRB 260.16.2.16.E	16	16	6	300	260	693	59	400	165	978	1168	28	32	125
FRB 260.16.2.20.E	20	16	8	300	260	748	69	420	165	1033	1213	28	32	130
FRB 285.16.2.20.E	20	16	8	365	285	778	69	420	165	1078	1236	28	32	160
FRB 320.16.2.20.E	20	16	8	365	320	768	69	450	180	1101	1231	28	32	160
FRB 320.16.2.25.E	25	16	8	365	320	763	69	450	230	1096	1333	28	32	205
FRB 355.19.2.29.E	29	19	8	410	355	848	69	500	225	1193	1393	35	37	265
FRB 400.19.2.29.E	29	19	8	460	400	873	69	570	240	1253	1398	35	37	365
FRB 400.22.2.29.E	29	22	8	460	400	873	69	570	240	1253	1572	40	43	365
FRB 450.22.2.32.E	32	22	10	515	450	1003	76	600	250	1416	1655	40	43	485
FRB 450.22.2.40.E	40	22	12	515	450	1074	84	600	333	1487	1665	40	43	590
FRB 450.24.2.40.E	40	24	12	515	450	1074	84	600	333	1487	1689	45	52	590
FRB 450.24.2.50.E	50	22	12	515	450	1074	97	600	363	1497	1675	45	52	680
FRB 450.26.2.40.E	40	26	12	515	450	1074	84	600	333	1497	1689	45	52	590
FRB 450.26.2.50.E	50	26	12	515	450	1074	97	600	363	1497	1848	45	52	680
FRB 528.24.2.63.E	63	24	16	595	528	1202	97	710	383	1656	1848	45	52	1000
FRB 528.26.2.63.E	63	26	16	595	528	1202	97	710	383	1656	1946	45	52	1000
FRB 528.26.2.80.E	80	26	20	595	528	1272	110	710	412	1736	1883	45	52	1065
FRB 528.28.2.63.E	63	28	16	595	528	1203	97	710	383	1681	1971	50	59	1000
FRB 528.28.2.80.E	80	28	20	595	528	1273	110	710	412	1751	2117	50	59	1065
FRB 670.28.2.100.E	100	28	20	760	670	1332	110	870	482	1897	2122	50	59	2240
FRB 670.32.2.100.E	100	32	20	760	670	1332	110	870	482	1897	83,54	60	66	2240

Minimum Ultimate Strength = 4 x WLL

- The dimensions in this table are indicative only. A drawing will always be submitted prior to production and will be the leading document when discussing dimensions.
- Blocks shown here are standard models; inquiries for custom versions are welcome.
- Refer to wire rope manufacturers D/d ratio guideline.
- Optional: Hook locking pin.



SEE OUR WARNING & SAFETY INFORMATION